

APPLICATION:

JOB NAME:

QUANTITY: ITEM NO.

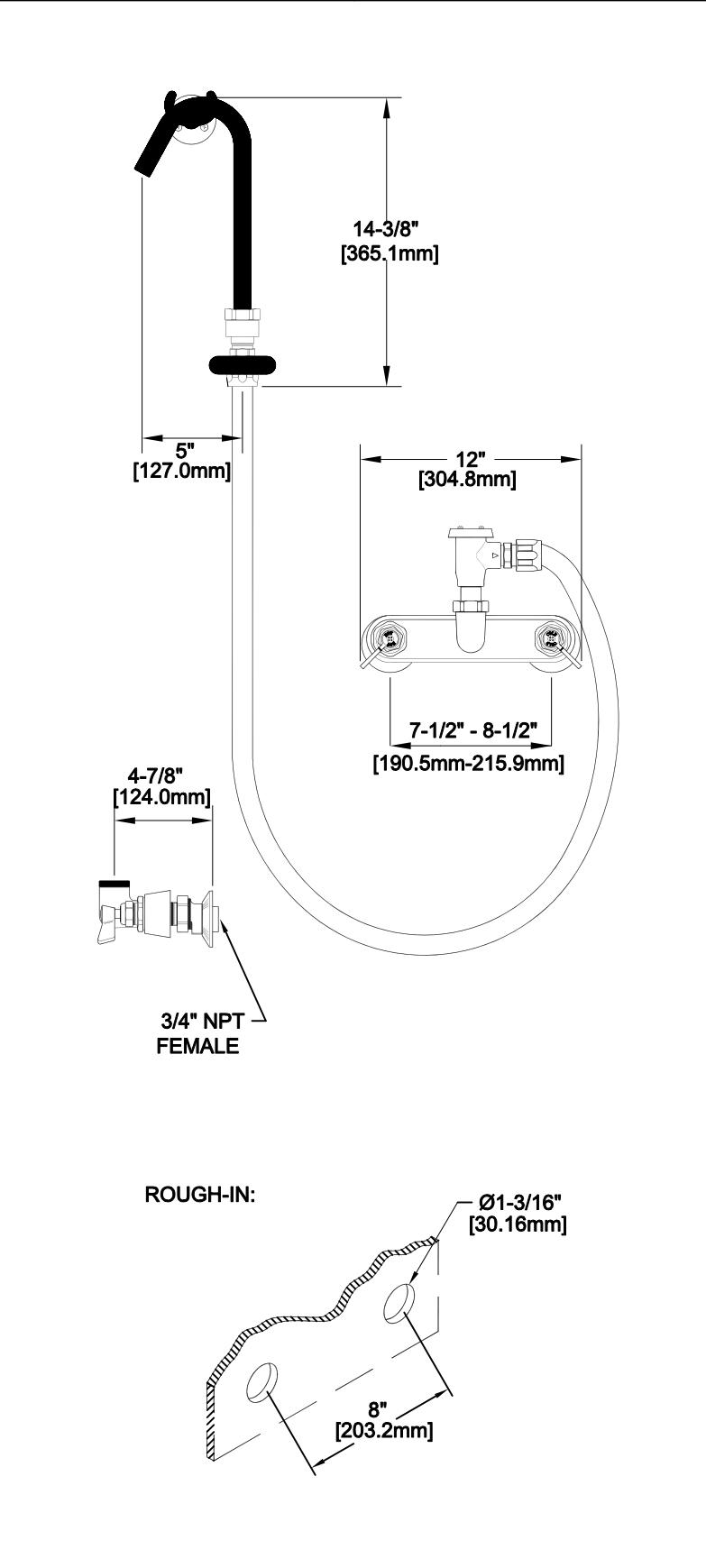
PRODUCT NAME:

WALL ADJ. POT FILLER W/VAC. BREAKER

SPECIAL CONFIGURATION
 CHECK BASE MODEL AND OPTIONS

MODEL:

5240



OPTIONS OR MODIFICATIONS:

SUPPLY LINES (24" OR 36") CIRCLE LENGTH

NIPPLES

ELBOWS

HANDLES (CROSS OR WRIST) CIRCLE STYLE

VANDAL RESISTANT KIT

OTHER _____

- FEATURES:
- * SWIVEL OUTLET
 - * ECCENTRICS ADJUST FROM 7-1/2" TO 8-1/2"
 - * SWIVELLING SEAT DISKS
 - * HOT SIDE STEM - RIGHT HAND, COLD - LEFT HAND
 - * STAINLESS STEEL SEATS
 - * STAINLESS STEEL SEAT SCREWS
 - * STAINLESS STEEL HANDLE SCREWS
- HOSE
- * 72" LG. HEAT MASTER FDA NITRILE/ARAMID
 - * NSF-51 (100 PSI W.P. @ 300°F) CONSTANT
 - * RENEWABLE END FITTINGS & BUMPER
 - * INLET - 360° SWIVEL VACUUM BREAKER
 - * OUTLET - 360° SWIVEL SPOUT W/VINYL FINISH
 - * 360° SWIVEL GOOSENECK
 - * NONMARRING GOOSENECK
 - * 360° SWIVEL ATMOSPHERIC VACUUM BREAKER

RECOMMENDED SETTINGS

- * 110°F AT 80 PSI

SYSTEM LIMITS

- * TEMP: 40°F MIN. TO 140°F MAX.
- * PRESSURE 200 PSI MAX. STATIC
- * 37 GPM @ 80 PSI

SHIPPING WEIGHT

- * 11.0 LBS

FISHER
 FISHER MANUFACTURING COMPANY
 TOLL FREE: 800-421-6162 - FAX: 800-832-8238
 information@fisher-mfa.com - www.fisher-mfa.com